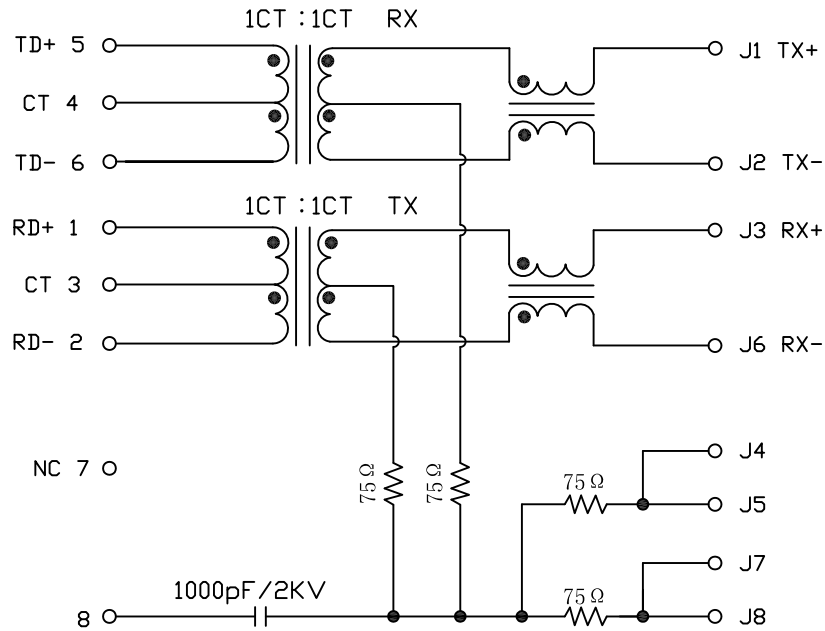


Schematic:

REV.	ECN NO.	DESCRIPTION	DATE	APPD
A	REL		2010-03-20	

PC BOARD CONNECTIONS



RJ45 CONNECTOR

Electrical Specification @25°C

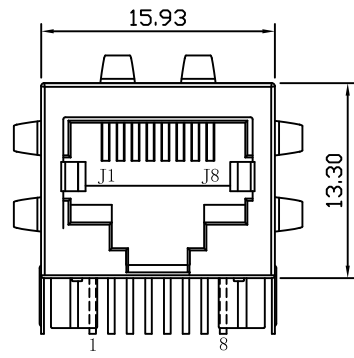
- Turns Ratio:  
TX=1CT:1CT      RX=1CT:1CT
- Insertion Loss:  
1-65MHz:-1.0dB MAX
- Return Loss:  
5-10MHz:-20dB MIN  
10-30MHz:-16dB MIN  
30-60MHz:-12dB MIN  
60-80MHz:-10dB MIN
- Crosstalk:  
1-30MHz:-40dB MIN  
30-60MHz:-35dB MIN  
60-100MHz:-30dB MIN
- Common Mode Rejection:  
1-50MHz:-30dB MIN  
50-150MHz:-20dB MIN
- Hipot: 1500Vrms
- OCL: 350uH Min  
@100KHz, 100mV, 8mA DC Bias.
- Operating Temperature: 0°C~70°C.



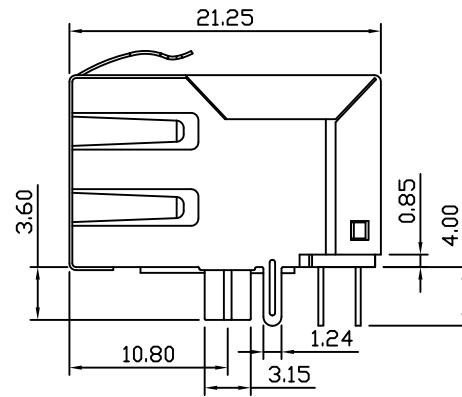
X:X	±0.30	APPD:	LINK-PP INT'L TECHNOLOGY CO., LIMITED	
X:XX	±0.25	CHKD:	TITLE: RJ45 Connector with 10/100 Base-T Integrated Magnetics	
X:XXX	±0.05	DR: TOM	PART NO.: LPJ0064CNL	
ANGLES	±1°	UNIT: mm		
	SCALE: 2/1	SHEET: 1/2	REV: A	DWG NO.: LP10032031

Mechanical:

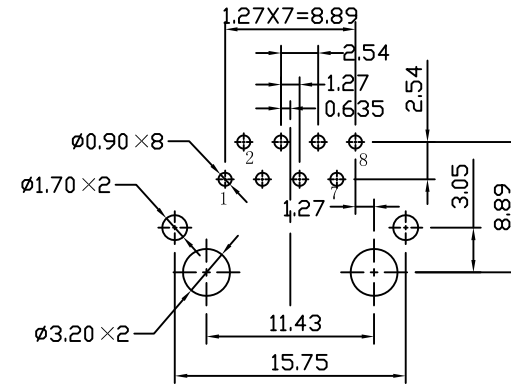
REV.	ECN NO.	DESCRIPTION	DATE	APPD
A	REL		2010-03-20	



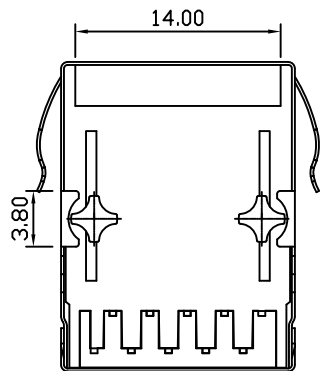
Front Side View



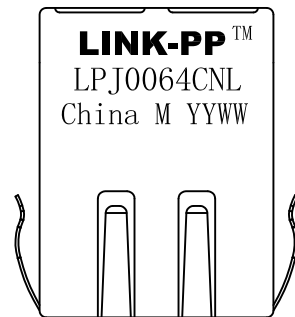
Left Side View



Suggested PCB Layout (Top View)



Bottom Side View



Top Side View

NOTES:

1. Designed to support application, such as SOHO (ADSL modems), LAN-on-Motherboard (LOM), hub and Switches.
2. Meets IEEE 802.3 specification
3. Connector Materials:  
 Housing: Thermoplastic PBT+30%G.F UL94V-0  
 Contact: Phosphor Bronze C5210R-EH Thickness=0.35mm  
 Pins: Brass C2680R-H Thickness=0.35mm  
 Shield: SUS 201-1/2H Thickness=0.2mm  
 Contact plating: Gold 6 micro-inches min. In contact area.
4. Wave solder tip temperature: 265°C Max, 5 Sec Max.

X:X ±0.30	APPD:	LINK-PP INT'L TECHNOLOGY CO., LIMITED		
X:XX ±0.25	CHKD:			
X:XXX ±0.05	DR: TOM	TITLE: RJ45 Connector with 10/100 Base-T Integrated Magnetics		
ANGLES ±1°	UNIT: mm	PART NO.: LPJ0064CNL		
	SCALE: 2/1	SHEET: 2/2	REV: A	DWG NO.: LP10032031